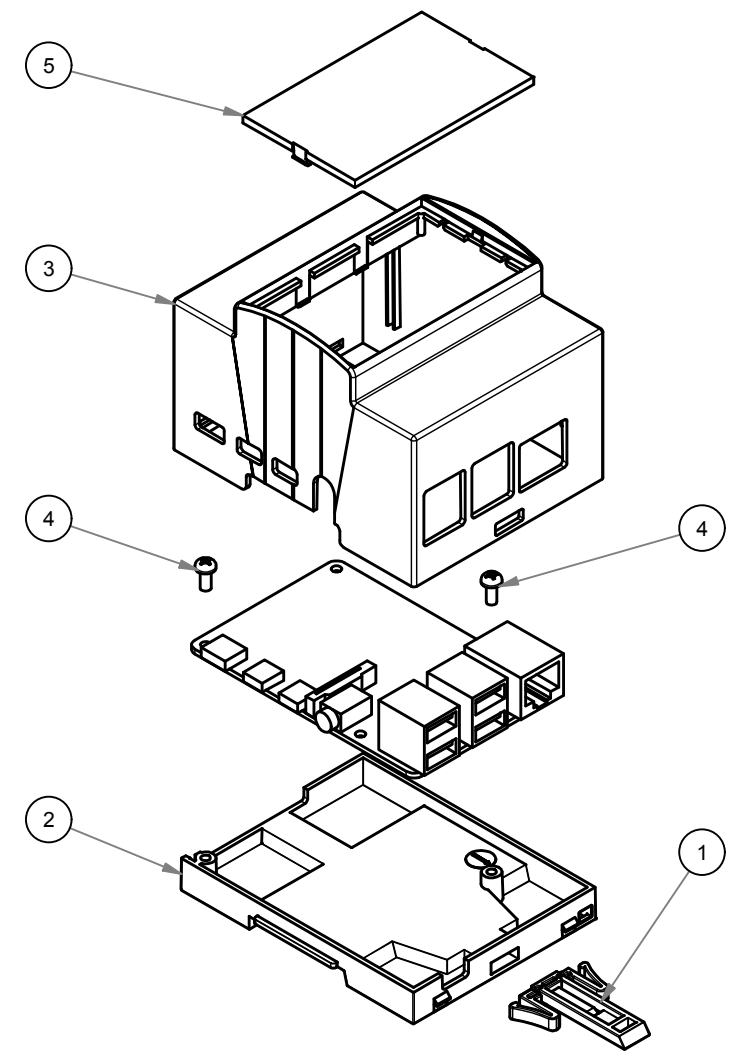
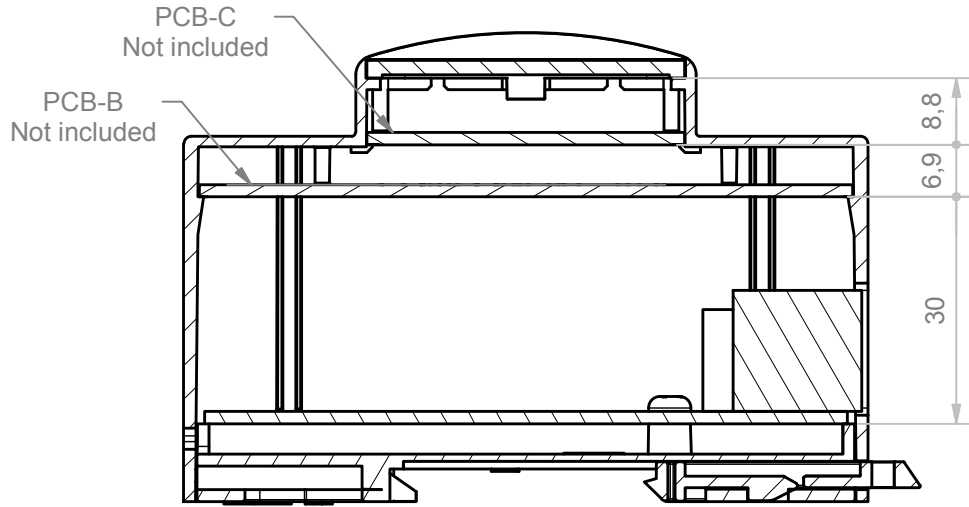


B-B (1:1)



RIF.	Q.TY	DESCRIPTION	DRAWING
1	1	MODULAR HOOK LONG	2_250_00072
2	1	BASE 4M XT WITH SPACERS FOR RASPBERRY PI B+/3/4 AND ODROID C1/C1+	2_050_00025
3	1	BODY ENCLOSURE 4M53-C XTS RASPBERRY PI4	2_050_00026
4	2	SCREW 2.9 X 6.5 TRUNC	8_100_00003
5	1	PANEL 4M WITHOUT FRAME	2_250_00088

General Tolerance UNI EN 22768/1 Media (m)				
from 0.5 to 3	from 3 to 6	from 6 to 30	from 30 to 120	from 120 to 400
± 0.1	± 0.1	± 0.2	± 0.3	± 0.5

Scale: 1:1	Sheet nr.: 1/1	Drawn: F.E.	Checked: R.N.	Date: 01/07/2019	Revision description
------------	----------------	-------------	---------------	------------------	----------------------

Dimension in mm	Material:	Weight:	Cod. Mold:
-----------------	-----------	---------	------------

 www.italtronic.com techcare@italtronic.com	Description:	KIT 4M XTS RASPBERRY PI4 KIT 4M XTS RASPBERRY PI4	Rev. 00
	Drawing nr.		

PCB TYPE	PCB DIMENSION	TOLERANCE
B	67.6X86.4X1.6	+/- 0.1 mm
C	67.4X42.0X1.6	+/- 0.1 mm

RESERVED PROPERTY: The present drawing cannot be reproduced or communicated to 3rd parties, even partially, without the authorization of ITALTRONIC Srl. Italtronic reserves to protect its own rights according to the law.